



H3-EM Electronic Locking Swinghandle

RFID card reader option · Latch status indicator
Single or multi-point latching

- Remote lock and unlock
- Momentary or continuous lock actuation
- Local monitoring with multi-color LED indicator
- Lock status outputs provided for remote monitoring
- Industry standard 25x150mm panel prep
- Integral key lock for manual over-ride
- Options for combined electronic lock and RFID card reader
- Options for 125 kHz or 13.56 MHz cards
- Reader recognizes existing employee RFID cards

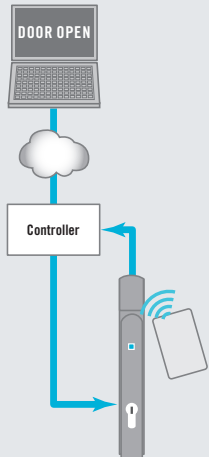
Notes

***Remove '-10' for latch without Southco Logo

¹ See specific latch trade drawings for compatible card types

** MIFARE®, MIFARE Classic, MIFARE Plus and MIFARE DESFire are trademarks of NXP B.V.

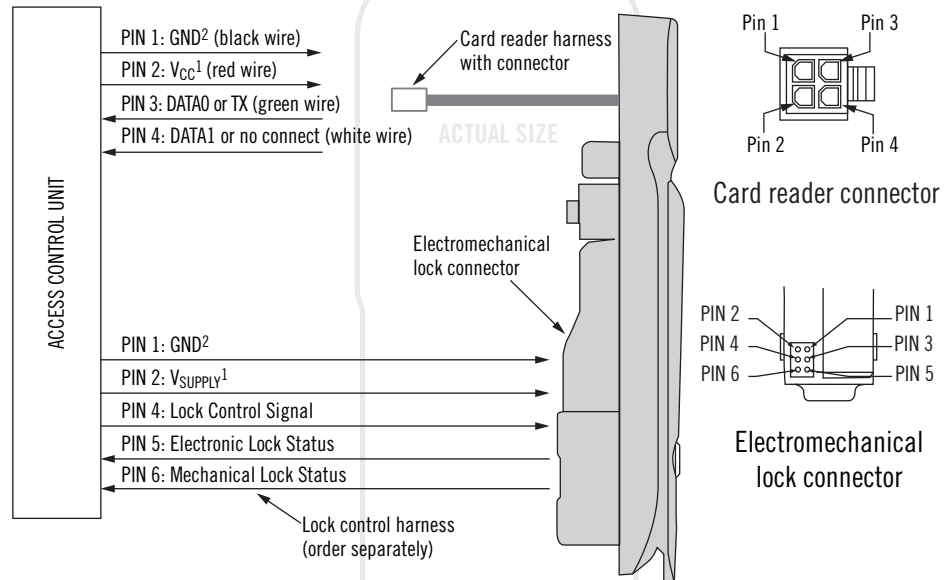
** HID iCLASS is a registered trademark of HID Global.



Other options available. For complete details on variety, part numbers, installation and specification, go to

INFO CLIC www.southco.com/H3-EM

Connection Diagram



- (1) VCC and V_{SUPPLY} may be connected together
- (2) EML and Card reader must use a common GND

5 Meter* Wire Harnesses (order separately)		
Part Number	Latch Output	Termination
EA-W01-500	From Swinghandle	to Stripped and Tinned End
EA-W23-503	From Wiegand or RS232 Output Card Reader	to Stripped and Tinned End
EA-W23-503-83	From Wiegand Output Card Reader	to EA-P1-01X (Pin/Prox Controller)
EA-W01-23-507	From Swinghandle and Card Reader	to Stripped and Tinned End
EA-W01-23-507-03	From Swinghandle and Card Reader	to Hirose 8-Pin Connector

*Contact Southco for other lengths

Electronic Swinghandle Part Number Selection

H3 - EM - 6 R - L 00 - 10***

R Card Reader type

- 0 Without card reader
- 6 MIFARE® Classic, MIFARE Plus®, MIFARE® DESFire® and HID® iCLASS® UID with Wiegand Data Output^{†**}
- 7 MIFARE® Classic, MIFARE Plus® and MIFARE® DESFire® with Wiegand Data Output^{†**}
- 8 HID® 125kHz RFID with Wiegand Data Output^{†**}
- 9 HID® 125kHz RFID with RS232 Data Output^{†**}

L Lock style

- 1 High security DIN lock
- 2 Key code CH751
- 3 Key code RS001 (Multiple RS key codes available)

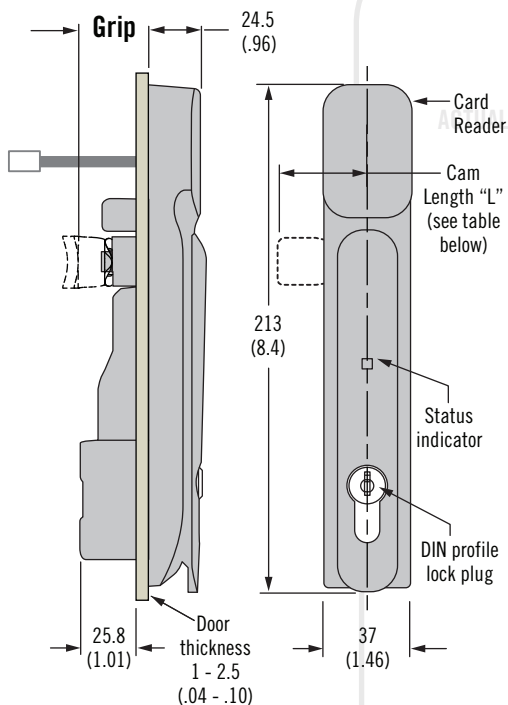


Card Part Numbers

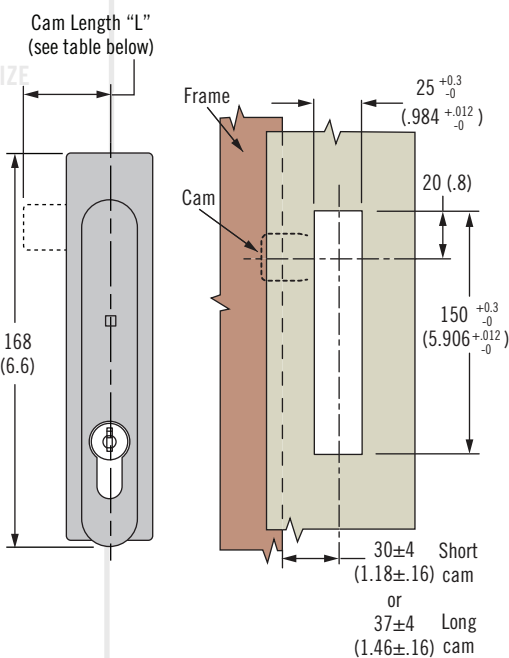
EA-C2-021-9 (HID® 125kHz card, 26bit, 1.8 (0.07) thick)**
EA-C3-101-9 (MIFARE® Classic card, 4B CSN, 0.8 (0.03) thick)**
Contact Southco for custom color/logo options

Dimensions in millimeters (inch) unless otherwise stated

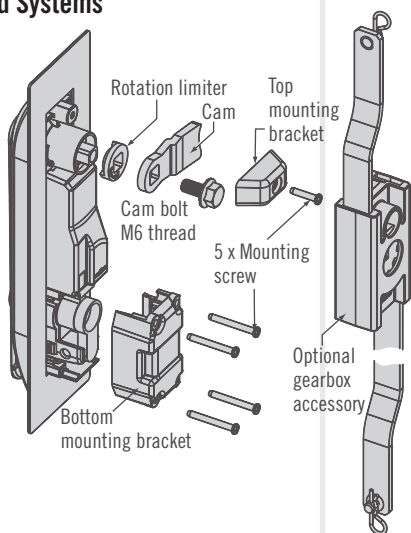
Swinghandle with Card Reader



Swinghandle without Card Reader



Rod Systems



Actuator Plate



Cam Part Number (Order seperately)		
Grip	Short Cam 38 (1.5)	Long Cam 45 (1.77)
15.5 (.61)	E5-6710	-
17.5 (.69)	E5-6711	-
19.5 (.77)	E5-6712	E5-6112
21.5 (.85)	E5-6713	E5-6113
23.5 (.93)	E5-6714	E5-6114

Other additional offsets:
 (1) See Southco Drawings J-E5-67-A & J-E5-67-B
 (2) See Southco Drawings J-E5-61-A & J-E5-61-B

Rod System Part Numbers (order seperately)†	
H3-61-55-33	Left Hand Gearbox (CCW to open)
H3-61-56-33	Right Hand Gearbox (CW to open)
A5-90-105-11	Actuator Plate

† For multi-point systems, select either the right or left hand gear box part number and rod adaptor (2 per door) part numbers or the actuator plate part number from table, then visit www.southco.com/A5 for rod selection.

Material & Finish

Glass-filled nylon, PC/ABS (UL94-V0)

Shaft, rotation limiter: Die-cast zinc, bright sealer

Electronic Swinghandle

Recommended operating voltage: 12VDC to 24VDC

Typical operating current:

Less than 200mA at 12VDC

Peak / stall operating current: 1 Amp

Standby current: 50mA Max

Output Signal: 100mA Max load

Card Reader Module

Supply voltage: 12VDC to 24VDC

Operating current: 60mA Max

To Order:

- 1 Select required Electronic Swinghandle part number using selection guide.
- 2 Select cam part number using cam part number table.
- 3 For multi-point applications, select optional gear box / rod adaptors or actuator plate.
- 4 Select optional wire harness.
- 5 Order cards as needed.

For standalone systems order Southco EA-P1-010 controller.

Contact Southco for details on ordering networked systems.